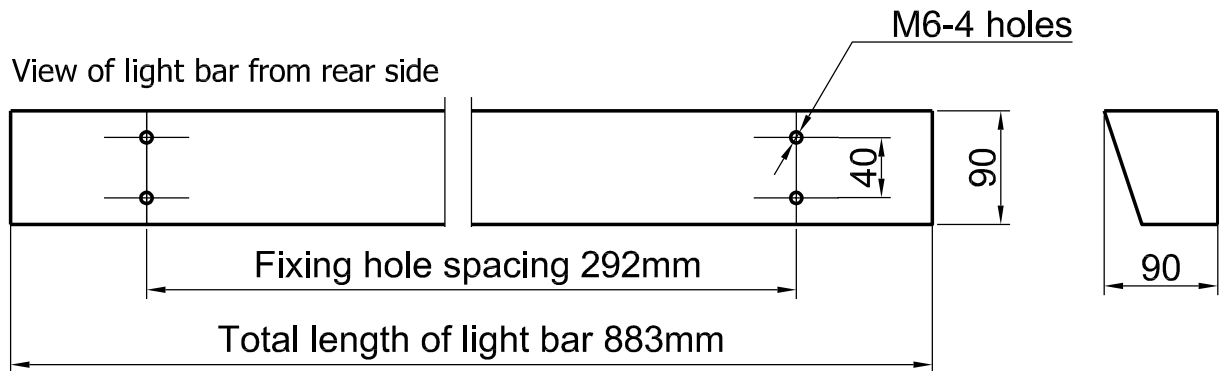


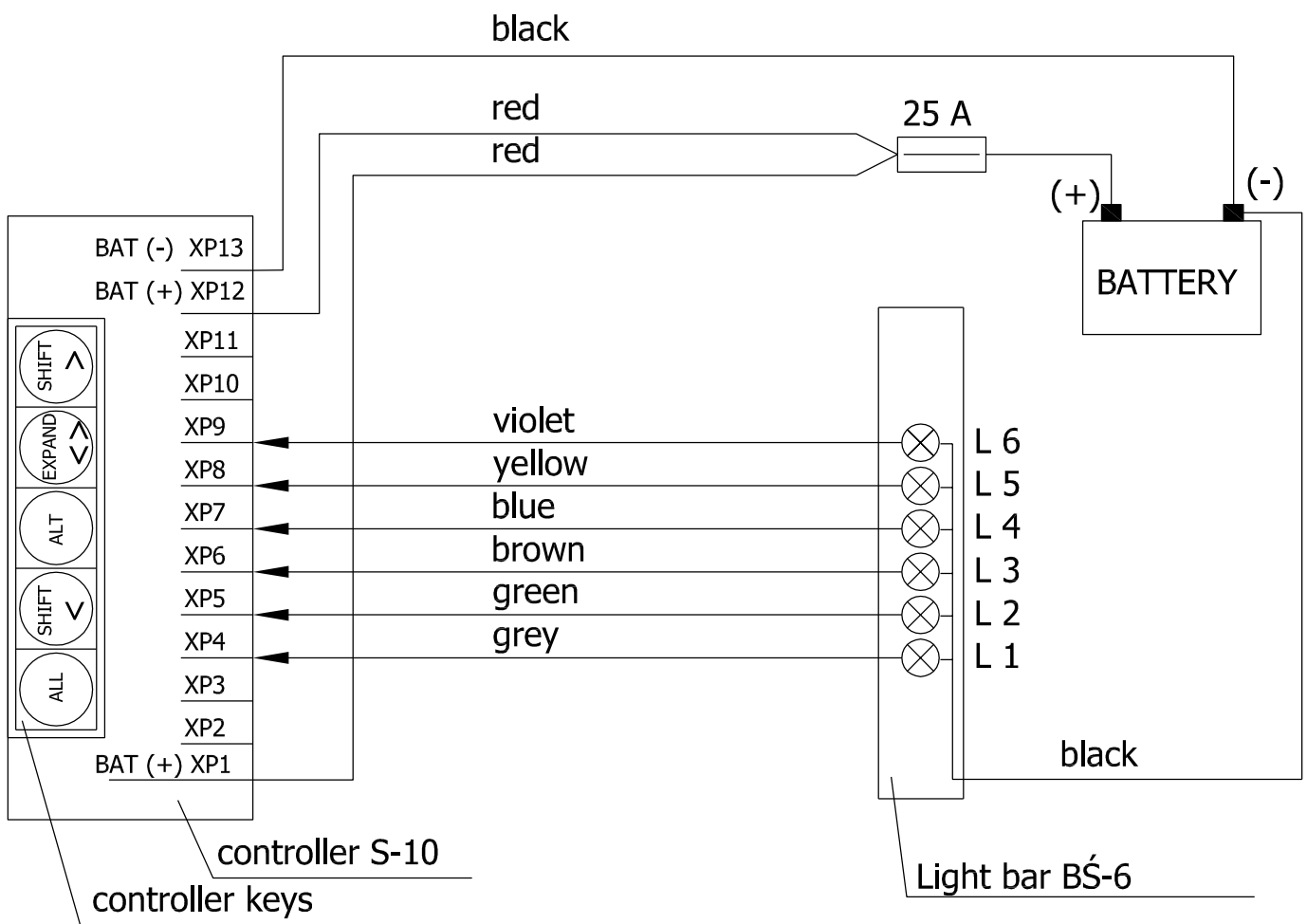
Overall dimensions and fixing

Drawing nb. 1



Scheme of electrical connection

Drawing nb.2



Equipment:

Light bar BŠ- 6 with supply harness	1pc.
Controller S-10	1pc.
Supply harness with fuse	1pc.