



Elektra®

ZAKŁADY ELEKTROMECHANICZNE S.I.
ul. Przasnyska 6A
01-756 Warszawa

Tel.(0-22) 4316-171(172) Fax. (0-22) 639 73 45

www.zeelektra.com.pl

email: handel@zeelektra.com.pl

Posiadamy certyfikowany system jakości ISO 9001

DIRECTIONAL WARNING LED LAMPS

LBLKo-8

LBLKo-6

INSTRUCTION FOR INSTALATION AND USE

GENERAL DESCRIPTION

Directional warning LED lamps LBLKo-8, LBLKo-6 forms an units of the warning equipment of special and privileged vehicles in road movement.

Each of the lamp consists of the casing (ABS) and proper shaped cover (PC) , assuring the light distribution scording to requirements of the UNECE Regulation No.65.

Applied flash module is made on the basis of newest super bright LEDs technology and special designed electronic system fulfils all the valid requirements of Regulation R10.03 ONZ.

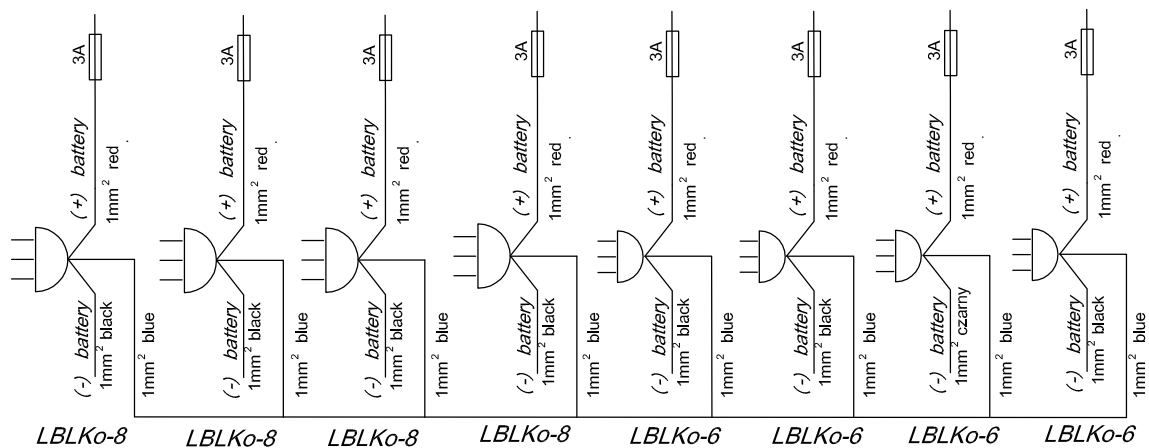
In order to assuring the synchronisation of the flashes of all lamp working in an integrated system of warning lights connect the green wires of all lamp together.

Both types of lamps LBLKo-6 and LBLKo-8 are fully compatible and can be connected in any configuration. Maximum number of lamps working together in an integrated system of warning lights is 10.

NOTE:

Protect each lamp using the 3A fuse (slow-blowing fuse)

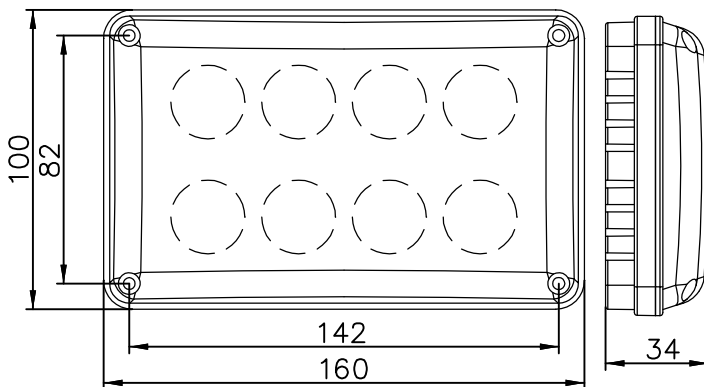
*Exemplary configuration of an integrated warning lamps system:
Connection diagram:*



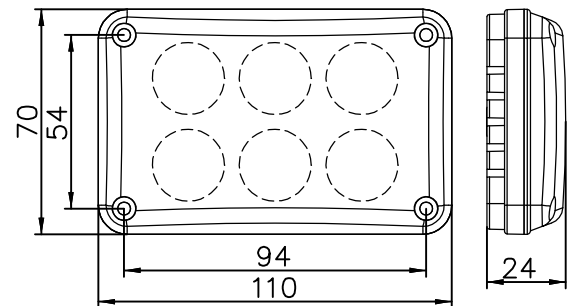
**TECHNICAL
SPECIFICATION:**

TYPE OF LAMP :	LBLKo - 6	LBLKo - 8
Supply voltage	10 - 30 V DC	10 - 30 V DC
Average current consumption	0.5 A (12 V) 0.25 A (24 V)	0.6 A (12 V) 0.3 A (24 V)
Max. Amplitude of current pulse	0.9 A	1.2 A
Number of LEDs	6	8
Dimensions of lamp	110 x 70 x 24	160 x 100 x 34
Dimensions of lamp with frame	125 x 82 x 28	180 x 115 x 38
Weight	0.3 kg	0.4 kg
Synchronization	LBLKo-6; LBLKo-8	
Flash frequency	2.1 Hz	
Operating temperature range:	-30° / +50° C	
Colour of LEDs	Blue, Amber, Red	

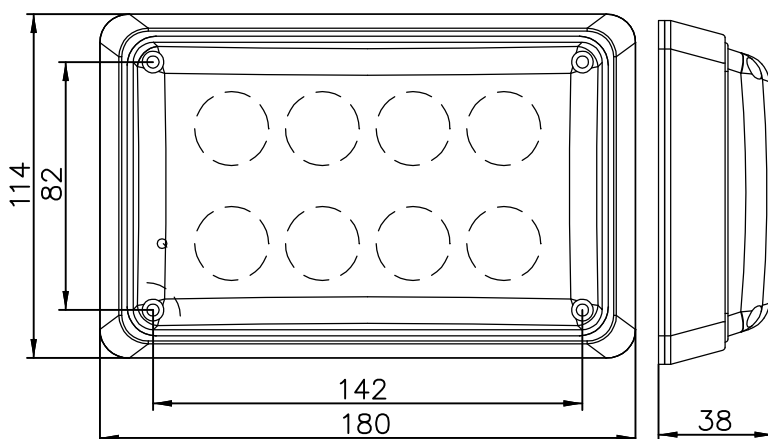
Dimension LBLKo-8



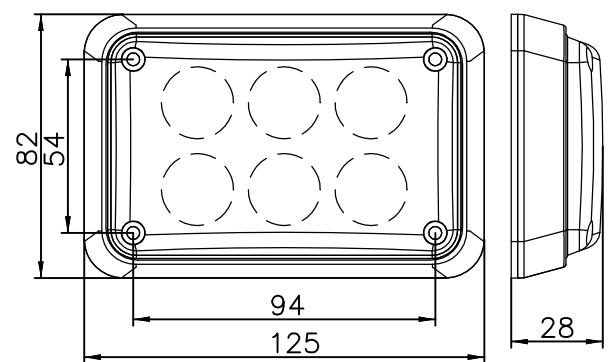
Dimension LBLKo-6



Dimension LBLKo-8 with frame



Dimension LBLKo-6 with frame

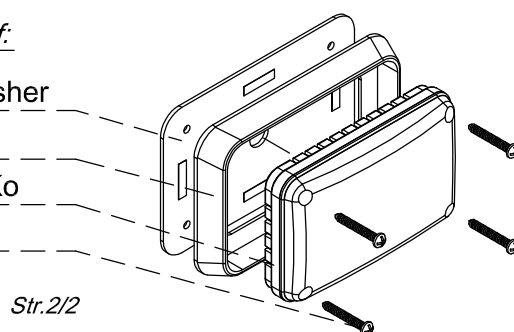


LAMP ASSEMBLY

Fix a lamp to the vehicle body using self-tapping sheet metal screw, so that the emitted light beam was directed parallel to the road surface.

The single lamp consists of:

- 1x Rubber washer
- 1x Frame
- 1x Lamp LBLKo
- 4x Screw



Str.2/2

